

DIGITAL WIRELESS SYSTEM

LDM D216



Contents

1. System components	2
2. General description	2
3. Receiver features	3
4. Transmitter features (handheld mic.)	4
5. Transmitter features (body-pack)	5
6. System setup	6
7. Specifications	7

System components

The system consists of:

1. Receiver
2. 6,35mm audio cable
3. Power supply
4. User guide

Additions (depending on the type of the system)

1. Handheld microphone
2. Body-pack transmitter with microphone choice:
 - Headset
 - Lavalier

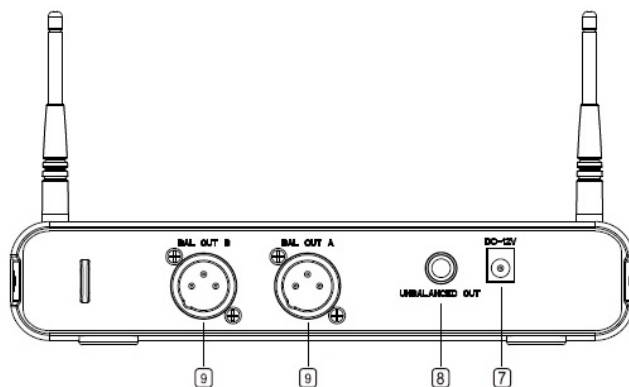
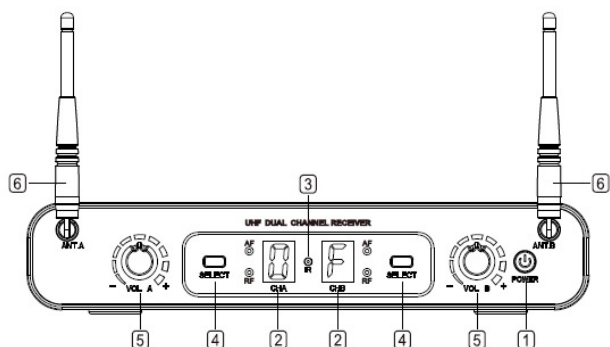
General description

1. UHF 606-630 or 823-832 MHz frequency range
2. Digital wireless audio transmission
3. 48kHz audio sampling mode
4. 16 selectable channels
5. Digital ID code completely solves the frequency interference
6. IR synch
7. Up to 60 meters of operating distance

Receiver

Front / Rear Panel

1. Power switch
2. LED display that shows the working channel
3. IR port
4. SELECT button - a channel setting / IR synch
5. Volume control
6. Antenna
7. Power supply jack (12V/1A)
8. 6,35mm unbalanced output jack
9. Balanced XLR output



Transmitters

Handheld microphone LDM H16

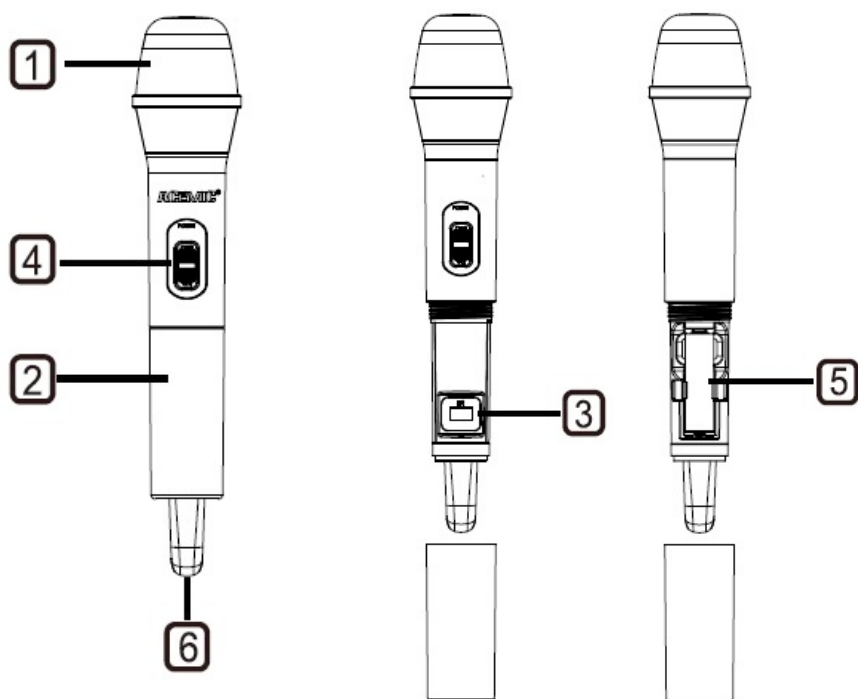
1. Microphone head
2. Metal pipe (aluminium alloy)
3. IR infrared port

4. ON/OFF and MUTE switch

Push up the switch to turn on / set to middle position in order to mute

5. Battery compartment

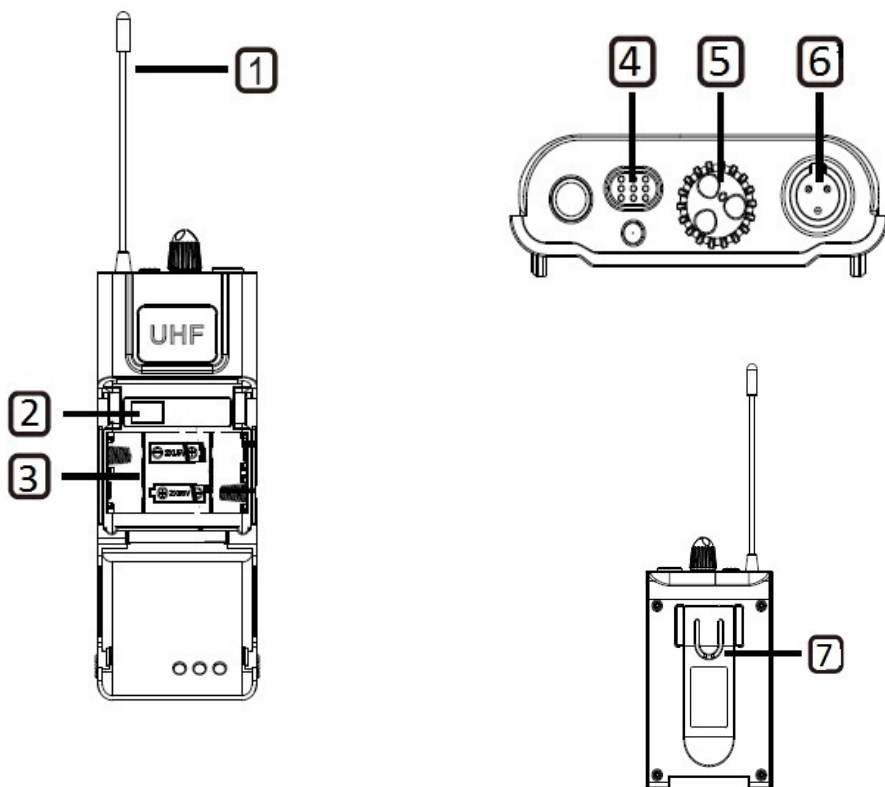
6. Antenna cover



Body-pack transmitter

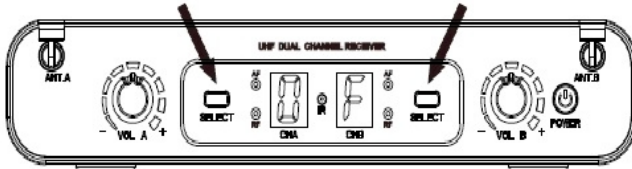
Body-pack LDM B16

1. Antenna
2. IR infrared port - for synchronize purposes
3. Battery compartment
4. Light touch power switch. Tap to turn on, press and hold for 1 second to turn off
5. Volume control
6. 3-pin mini XLR input for microphone
7. Klips umożliwiający przypięcie urządzenia np. do paska

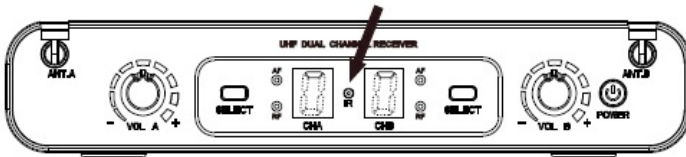


System Setup

1. Connect included AC power supply (+12V) to the rear of the receiver then turn on the receiver
2. The system is 16 channels adjustable. Press (multiple times if necessary) a select button to choose one of the them (0-F)



3. After select a desired channel the number will stop flashing.



4. Press and hold for 1 second the SELECT button - the receiver will start to send the infrared signal. While this is happening (moving element is showing on the display) put the transmitter's IR close to (opposite to) the receiver's IR port - 5-20cm distance away. After a successful synch the RF light of the receiver will turn on.

Specifications

Receiver

- Demodulation Mode - pi/4 DQPSK3.
- Sampling Rate - 48kHz
- Latency - 3ms
- Dynamic range >96dB
- THD < 0,2%
- Frequency response - 40Hz-18KHz +/- 2dB
- Power supply - 12V/1A
- Signal / Noise ratio >96dB
- Dimensions- 205x115x37 mm

Handheld microphone LDM H16

- Transmitter power - 10mW
- Frequency range - IR synch
- Microphone type - Dynamic
- Pipe - Aluminium / anodic oxidation
- Battery - 3V (battery 2x1,5V AA)
- Operating time > 8h
- Dimensions - 257 mm

Body-pack transmitter LDM B16

- Transmitter power- 10mW
- Frequency range - IR synch
- Microphone type - Condenser
- Input - 3-pin mini XLR
- Battery - 3V (battery 2x1,5V AA)
- Operating time > 8h
- Dimensions - 110x63x21 mm

