

CATALOG

- 1. FOREWORD.....2
- 2. SYSTEM FEATURES.....2
- 3. SYSTEM TYPE.....2
- 4. SINGLE CHANNEL RECEIVER FEATURES.....3
- 5. DUAL CHANNEL RECEIVER FEATURES.....4
- 6. HAND-HELD TRANSMITTER FUNCTION & FEATURES.....5
- 7. BODY-PACK TRANSMITTER FUNCTION & FEATURES.....5
- 8. SYSTEM CONNECTION..... 6
- 9. TRANSMITTER CONNECTION..... 7
- 10. RECEIVER OPERATING INSTRUCTION.....8
- 11. TRANSMITTER OPERATING INSTRUCTION.....8
- 12. SPECIFICATION..... 9

Thanks for purchasing this product, please read this instruction carefully so that can understand how to operate the product of style you bought correctly. Please store this instruction in a safe place after reading as a reference in the future.

This series of professional wireless microphone system used a super steady PLL-synthesized control technic and match with the high efficient, low consumption discharging technique and the super sensitive discharging receiving technique, also apply an independent developed mobile frequency compression, expander circuit, image frequency limiting circuit, a multiple checked silent and noisy circuit, antenna diversity receiving circuit, switch impact noise defeat circuit. resist reverberation circuit and changed output controlled slowly system and finished on its item named pattern line. Every system is available to an excellent electric function by Q.C. strictly.

FOREWORD

Your new series of wireless system is designed to give you the best of both sound reinforcement worlds: the freedom of wireless system, and the excellent quality. This manual covers each of the series system: The Vocal/Artist-UHF, The Presenter-UHF, The Headset-UHF and The Guitarist-UHF.

SYSTEM FEATURE

1. Adopt the PLL-Synthesized control technic, 8 selectable UHF channels.
2. The UHF frequency range is 460-970MHz, avoiding the frequency interruption.
3. LED information display.
4. Double noise squelch operation circuit and system will be higher efficient and much more steady.
5. Use the dynamic type and Uni-directional cartridge, clear to show the sound.
6. High efficient and low consumption design.
7. Use the high extension antennas, the operating distance will reach 50 m.

SYSTEM TYPE

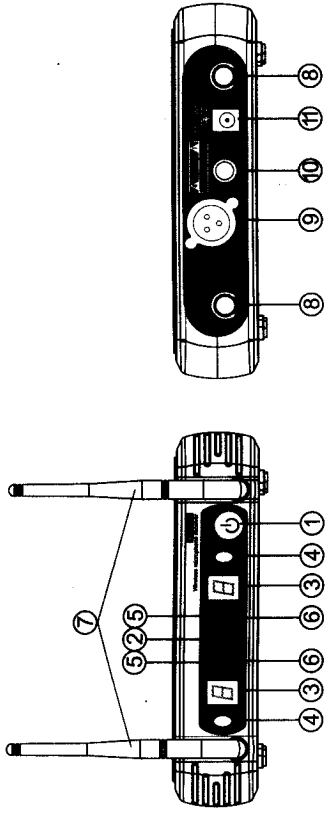
The Vocal Artist-UHF is a hand-held system designed for singers who desire the high quality microphones and the freedom of wireless performance.

The Presenter-UHF is a body-pack system designed for public speakers who prefer an inconspicuous, hands-free lavalier microphone.

The Headset-UHF is a body-pack system designed for users in physically active applications, who desire the freedom of hand-free microphone.

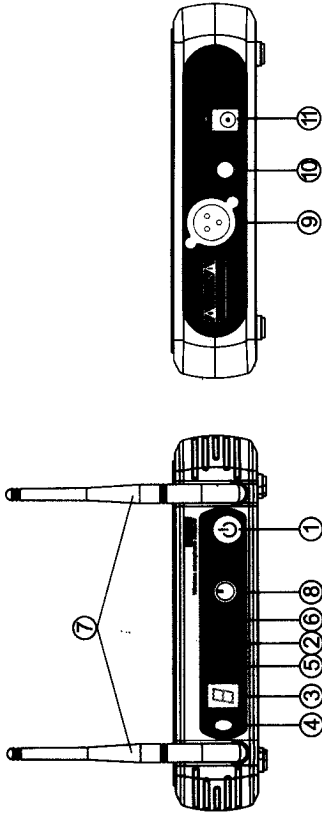
SYSTEM COMPOSITION	
1. Receiver.....	X1
2. Wireless hand-held or body-pack microphone.....	X1/X2
3. Audio Cable.....	X1
4. AC power adapter of special receiver.....	X1
5. Battery 1.5V.....	X2/X4
6. User guide.....	X1

DUAL CHANNEL RECEIVER FEATURES



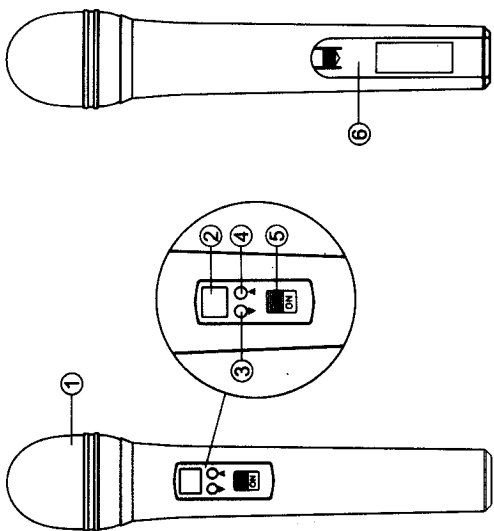
1. Power Button: Power ON/OFF the receiver.
2. Power Indicator: Indicate the power ON/OFF.
3. Channel Display: Indicates the frequency data of the selected channel group.
4. SET Function Button: Sets channel data.
5. "AF" Audio Level Indicator: Indicate the wireless system audio signal level.
6. "RF" signal Indicator: It glows when the Receiver receive RF signal from Transmitter.
7. Antenna.
8. Volume Knob: Adjust the volume output of receiver.
9. XLR Balanced Output Jack: Connect the audio cable from this jack to the input port of amplifier, mixer.
10. 1/4" Audio Output Jack: Connect the audio cable from this jack to the input port of amplifier, mixer.
11. Power Jack: Connect the AC/DC adapter to receiver.

SINGLE CHANNEL RECEIVER FEATURES

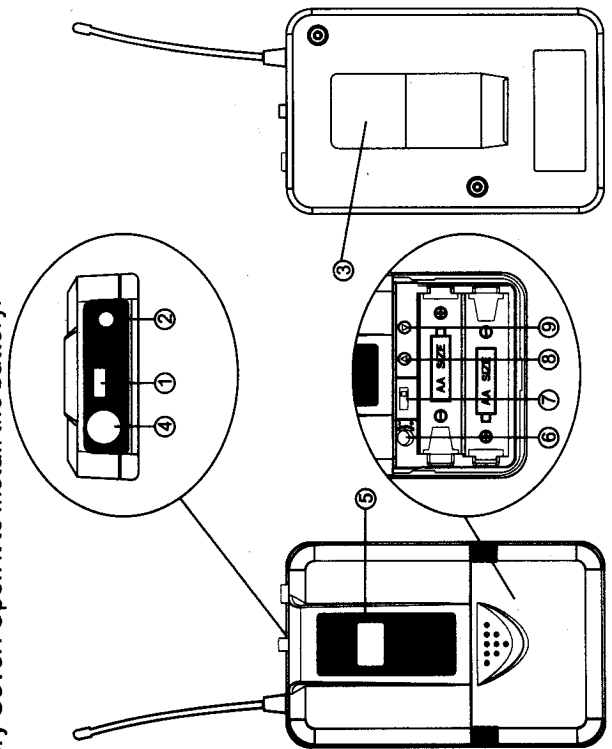


1. Power Button: Power ON/OFF the receiver.
2. Power Indicator: Indicate the power ON/OFF.
3. Channel Display: Indicates the frequency data of the selected channel group.
4. SET Function Button: Sets channel data.
5. "AF" Audio Level Indicator: Indicate the wireless system audio signal level.
6. "RF" signal Indicator: It glows when the Receiver receive RF signal from Transmitter.
7. Antenna.
8. Volume Knob: Adjust the volume output of receiver.
9. XLR Balanced Output Jack: Connect the audio cable from this jack to the input port of amplifier, mixer.
10. 1/4" Audio Output Jack: Connect the audio cable from this jack to the input port of amplifier, mixer.
11. Power Jack: Connect the AC/DC adapter to receiver.

TRANSMITTER FUNCTION & FEATURES


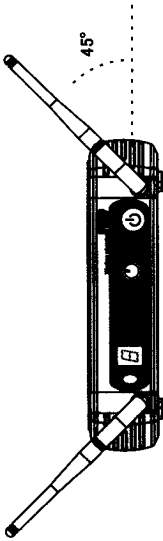


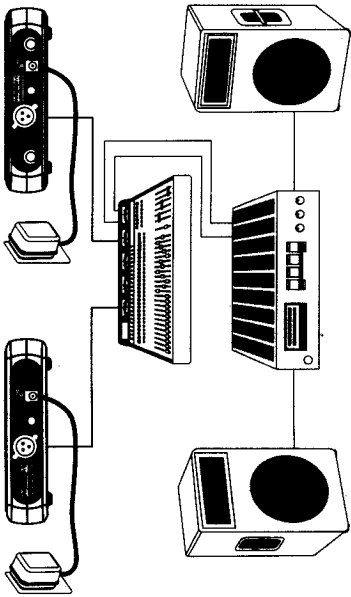
1. Grille: Protects the cartridge and help reducing the breath sounds and wind noise.
2. Channel Display: Indicates the frequency data of the selected channel group.
3. Down Function Button: Sets channel data.
4. Up Function Button: Sets channel data.
5. Power and Audio Mute Switch.
6. Battery Cover: Open it to install the battery.



1. Power and Audio Mute Switch.
2. Antenna: Transmit the RF signal of transmitter.
3. Belt Clip: Attach the transmitter to the belt.
4. Audio Input Jack: it is suitable for lavalier system/headset system.
5. Channel Display: Indicates the frequency data of the selected channel group.
6. Gain Adjusting Volume: Adjust the transmitter audio input gain.
7. State Setting Switch: Set the using state of lavalier system(L)/headset system(H).
8. Up Function Button: Sets channel data.
9. Down Function Button: Sets channel data.

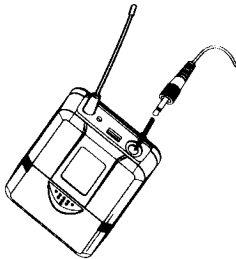
SYSTEM CONNECTIONS

1. Receiver Power Connection: Connect the AC adapter into the DC power connector on the back of the receiver. Plug the AC adapter into a AC 120V/220V 50Hz outlet.
 
2. Antenna: Keep the position of antenna at a 45 angle from vertical, (Shown as below)
 

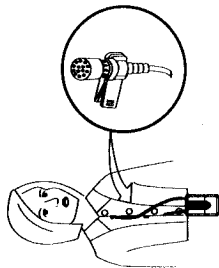
3. Audio Connection: Connect the audio cable from the audio output on the receiver to the input on your amplifier equipment.
 

BODYPACK TRANSMITTER CONNECTION

1. Lavalier Microphone Connection: Connect the connector of supplied Lavalier microphone to the connecting jack of transmitter (Shown as below) Set the transmitter work state in wireless lavalier system.

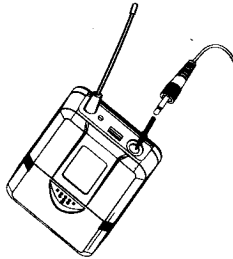


(a)

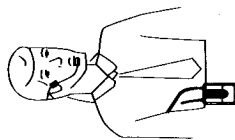


(b)

2. Headset Microphone Connection: Connect the connector of supplied Headset microphone to the connecting jack of transmitter (Shown as below) Set the transmitter work state in wireless headset system.



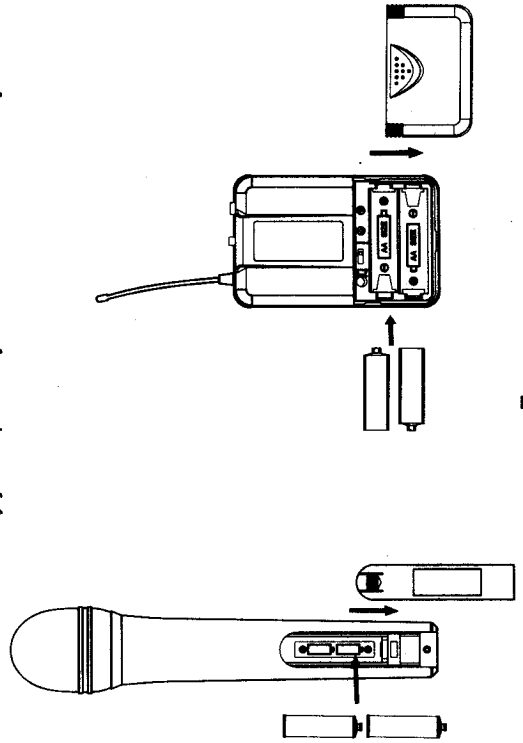
(a)



(b)

TRANSMITTER BATTERY INSTALLATION

1. Battery Installation of Transmitter: Push open the battery cover, insert the supplied batteries into battery jar in polarity and cover the battery cover.



TROUBLESHOOTING

PROBLEM	INDICATOR STATUS	SOLUTION
No sound.	Red transmitter indicator is not flash	Slide transmitter POWER ON/OFF switch to ON position. Make sure battery is inserted properly, observing battery (+/-). If battery is inserted properly, replace with fresh battery
No sound.	Red transmitter indicator is flash	Slide transmitter MUTE/ON switch to ON position
No sound.	Red receiver POWER light off.	Make sure ac adapter is securely plugged into electrical outlet and into dc input connector. Make sure ac electrical outlet works and supplies proper voltage.
No sound.	Receiver signal indicators A/B lights glowing.	Turn up receiver volume control. Confirm that the output connections from the receiver to the external equipment are secure
No sound.	Receiver signal indicators A/B lights off. Transmitter and receiver POWER lights glowing	Confirm transmitter's and receiver's frequencies match. Move transmitter closer to receiver
Sound level differs from level of a cabled instrument.	Receiver signal indicators A/B lights glowing.	Adjust transmitter gain level to compressary. Adjust receiver volume as necessary.
Sound level differs with different guitars.	Receiver signal indicators A/B lights glowing.	Readjust transmitter gain level to compensate for differences in guitar outputs
Distortion level increases gradually	Receiver Signal Indicators A/B lights and transmitter LOW BATTERY light glowing	Replace transmitter battery
Bursts of noise or other audiolradio signals present.	Signal Indicators A/B lights on	Identify potential sources of interference (other RF-sources) and turn off, remove or use a wireless system operating on a different frequency.
Momentary loss of sound as transmitter is moved around performing area.	Receiver signal indicators A/B lights off when sound is lost	Reposition receiver and perform walk-through test again. If audio dropouts persist, mark "dead" spots and avoid them during performance

SYSTEM SPECIFICATIONS

RF Carrier Frequency Range: Approximately 460 to 970 MHZ (Available frequencies depend on applicable regulations in country where system is used).

Operating Range: 50 m(approximately 164ft)under typical conditions

Audio Frequency Response: 100 to 18,000Hz, ±3dB

THD: <1%

Mobile stste Range:> 100dB

Operating Temperature Range

-29° to 74 °C (-20° to 165°F)NOTE:Battery characteristics may limit this range.

RECEIVER SPECIFICATION

Power Requirements	120V or 230V AC adaptor with 2.1 mm female plug
Power Requirements	13-15V DC nominal, 300mA/500mA
Signal/Noise Ratio	MORE THAN 85dB
Border Upon Channel Rejection	MORE THAN 70dB
Image & Spurious Rejection	MORE THAN 70dB
Audio Output Level	0- ±300mV
Receiving Sensitivity	-105dBm
Dimensions	175MM X 135MM X 43MM

HAND-HELD TRANSMITTER SPECIFICATIONS

Power Requirements	1.5V AA battery X 2
Nominal Current Drain	LESS THAN 100mA
Modulation Type	FM
RF Output	MORE THAN 10dBm
Max Deviation	±70KHz
Spurious Emission	MORE THAN 55dB
Dimensions	238MM X 50MM X 50MM

BODY-PACK TRANSMITTER SPECIFICATIONS

Power Requirements	1.5V AA battery X 2
Nominal Current Drain	LESS THAN 100mA
Modulation Type	FM
RF Output	MORE THAN 10dBm
Max Devia tion	±70KHz
Spurious Emission	MORE THAN 55dB
Dimensions	100MM X 65MM X 30MM

OPTIONAL ACCESSORIES

1/4" to 1/4" Cable (The Guitarst -UHF only)

1/4" to Miniature Connector

1.8 Meter (6 ft.) Receiver-Mixer Cable